

Figure 2c - **Tribander, WARC Dipole, and Monoband Antennas.** The transceiver provides power for decoder and relays as well as the band data information. Three diodes on the internal header select the tribander on 10, 15, and 20. Two external diodes select Relay 2 when on 12 or 17 meter WARC bands. Internal jumpers select monobanders for 40-160.

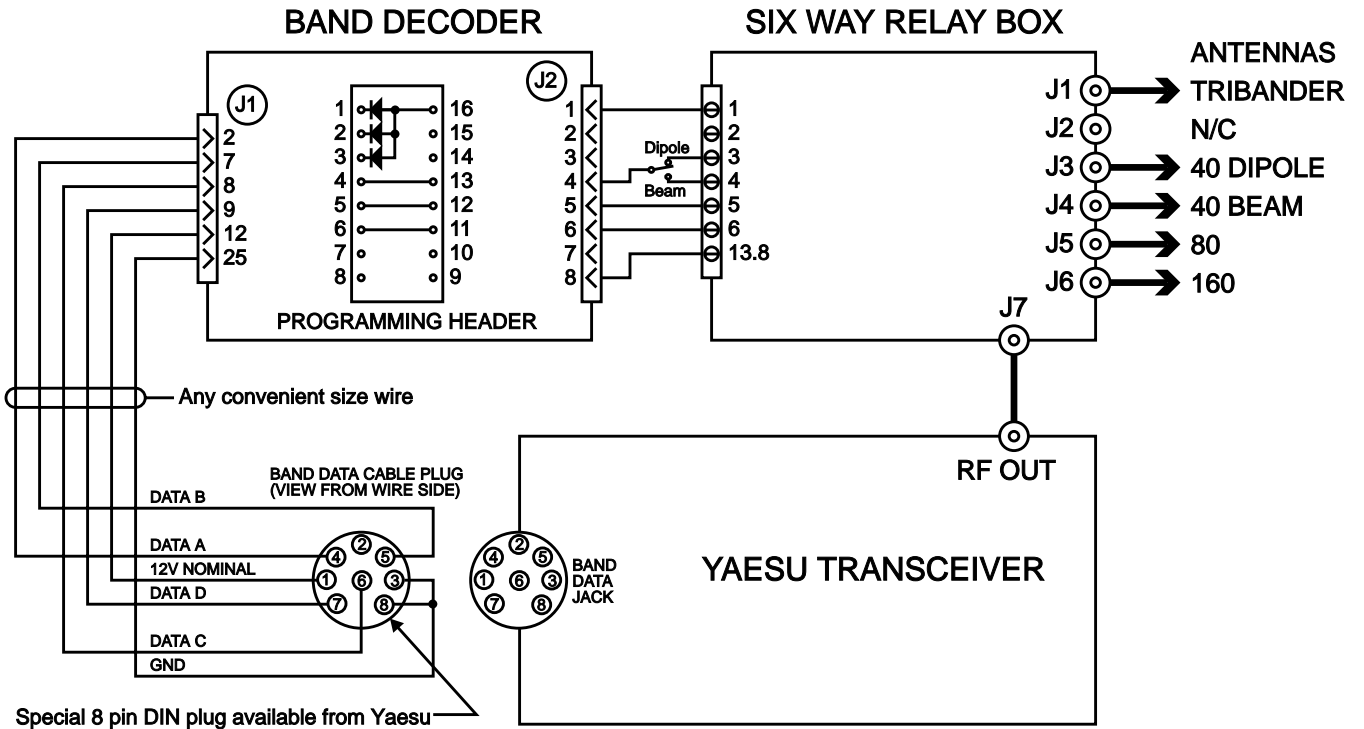


Figure 2d - **Tribander, Two 40 Meter Antennas, Plus Monoband Antennas on 80 and 160.** The transceiver provides power for decoder and relays as well as the band data information. Three diodes installed on the programming header select Six Way Relay No. 1 (Output J1) whenever the rig is on 10, 15, or 20. An external toggle switch selects between the two available 40 meter antennas. Three internal jumpers are installed to select the monoband antennas for 40-160 meters.