

Figure 2a - **Monoband Antennas**. The transceiver provides power for decoder and relays as well as the band data information. Six wire jumpers are installed on the Programming Header to select the monoband antennas for 10-160 meters.

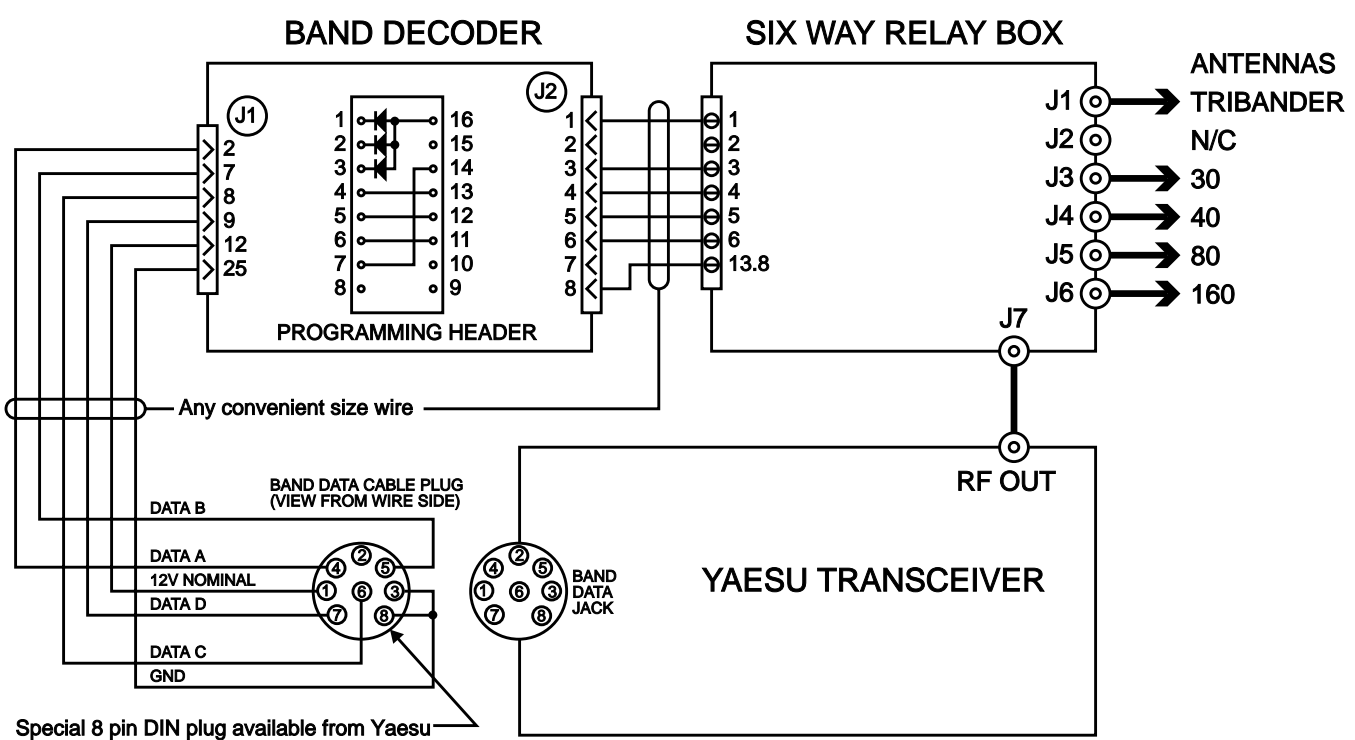


Figure 2b - **Tribander Plus Monoband Antennas**. The transceiver provides power for decoder and relays as well as the band data information. Three diodes installed on the programming header select output J1 whenever the rig is on 10, 15, or 20. Four wire jumpers are installed to select the monoband antennas for 30-160 meters.