

Figure 2e - Tribander, Monoband Antennas and Dunestar 600 Bandpass Filters. The transceiver provides power for decoder, relays, and Dunestar. All programming is done externally due to the need for monoband selection on the Dunestar, so the internal header has six wire jumpers. Three external diodes select the tribander on 10, 15, and 20.

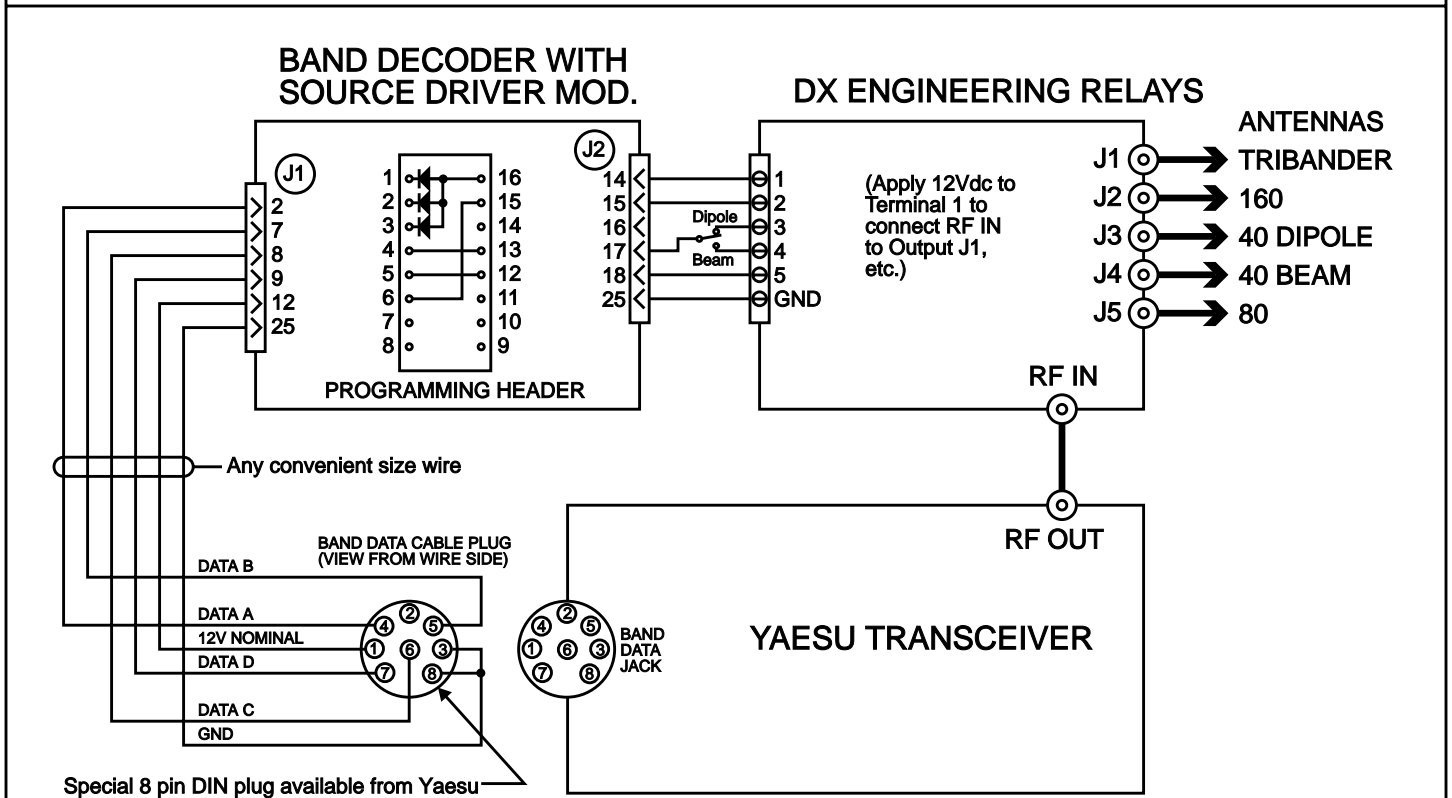


Figure 2f - Tribander, Two 40 Meter Antennas, Wires on 80 and 160 Using DX Engineering Relays. Similar to Figure 2d, except DX Engineering Relays are used. The Band Decoder Source Driver Modification is required. Internal programming diodes are installed in the same direction as with the Top Ten Six Way Relays. However, if external programming diodes are required, such as in Figure 2e where a Dunestar 600 is used, the diodes must "point" to the DX Engineering Relays.